



MANUAL

ZIP+

Version: 1.0
(April 2026)

TAGARNO

Content

1 Safety

1.1 Intended use

1.2 Warnings

2 Assembling your microscope

2.1 Assembly

2.2 Connecting

2.3 Power on

2.4 Integrated light

3 Control options

3.1 XKEY

3.2 Foot switch

4 Operation

4.1 On screen display

4.2 Image or video capture

5 Maintenance & support

5.1 Taking care of your microscope

5.2 Warranty

5.3 Support

5.6 Technical specifications

5.7 PC requirements

5.7 Declaration of Conformity

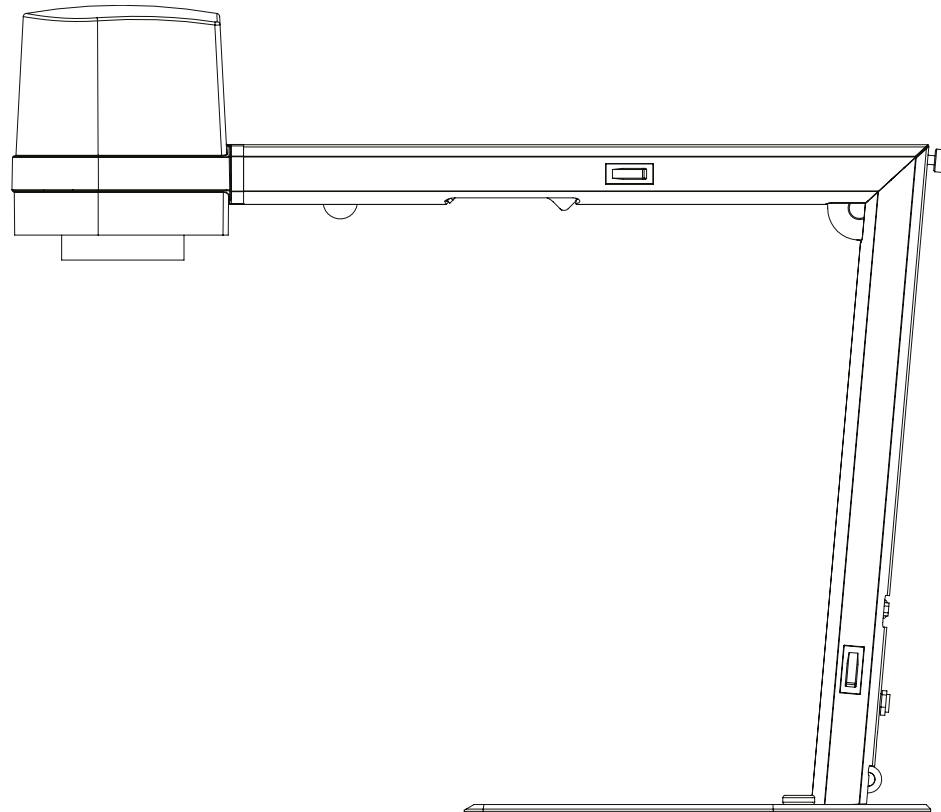
5.8 Label

1 Safety

To ensure proper and safe usage of the ZIP+, please read the Intended use and Warnings section closely before starting the assembly and usage of the product.

1.1 Intended use

The product is a digital magnifying system designed for manual visual inspection. If you have any questions about how to use the product or experience any use cases that are not described in this product manual, we refer to Support section of this manual.



Content

1 Safety

1.1 Intended use

1.2 Warnings

2 Assembling your microscope

2.1 Assembly

2.2 Connecting

2.3 Power on

2.4 Integrated light

3 Control options

3.1 XKEY

3.2 Foot switch

4 Operation

4.1 On screen display

4.2 Image or video capture

5 Maintenance & support

5.1 Taking care of your microscope

5.2 Warranty

5.3 Support

5.6 Technical specifications

5.7 PC requirements

5.7 Declaration of Conformity

5.8 Label

1.2 Warnings



- Read all safety information before you use the product.
- Please pay attention when you see a warning label on the product.
- This product is for indoor use only.
- You must not discard this electrical/electronic product in domestic household waste. Please dispose at your local recycling centre.

- Read the manual before you use the product.
- Use the product only as specified, or the protection supplied by the product can be compromised.
- Do not position the equipment so that it is difficult to operate the disconnecting device (appliance inlet of external power supply, equipment input connector).
- If fluids are spilled on the product, turn the system off immediately by pulling the power supply out of the electrical outlet.
- In case of fire close to the product, please turn off and disconnect the system.
- Avoid subjecting the objective to sharp or hard objects.
- Do not connect the product, if visible damages appear.
- Do not dismantle any parts of the product, except where noted in the manual.
- Never disassemble or clean internal optical surfaces.
- Use only the power supply provided by TAGARNO.
- Always turn off the system before unplugging, when possible.
- Do not touch the light source. It gets hot when using the product
- Do not look directly into the light source



Caution, Hot surface:

The inside of the camera head might be hot. To reduce the risk of injury from a hot component, allow surface to cool before changing the close-up lens.



Warning:

This is a Class A product. In a domestic environment, this product may cause radio interference, in which case the user may be required to take appropriate measures.

Content

1 Safety

1.1 Intended use

1.2 Warnings

2 Assembling your microscope

2.1 Assembly

2.2 Connecting

2.3 Power on

2.4 Integrated light

3 Control options

3.1 XKEY

3.2 Foot switch

4 Operation

4.1 On screen display

4.2 Image or video capture

5 Maintenance & support

5.1 Taking care of your microscope

5.2 Warranty

5.3 Support

5.6 Technical specifications

5.7 PC requirements

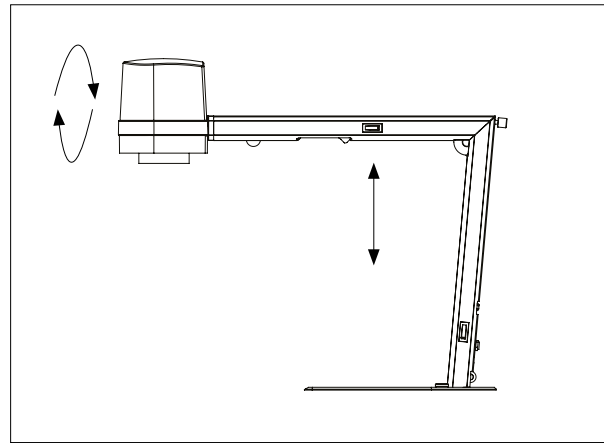
5.7 Declaration of Conformity

5.8 Label

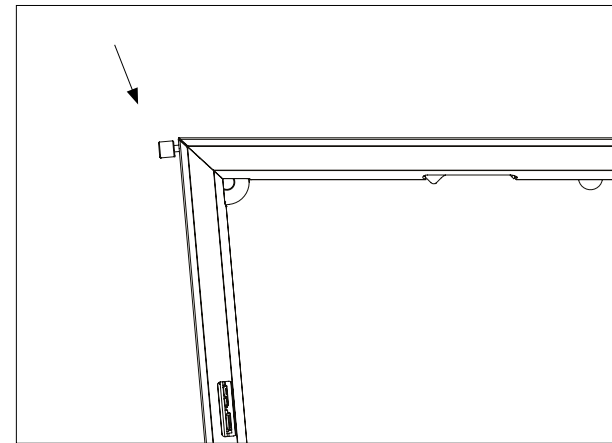
2 Assembling your microscope

Assembling and installing the ZIP+ requires no extra tools and everything you need is included with your delivery.

2.1 Assembly



Unfold the device and rotate the camera head 90 degrees so the lens points downwards.



Lock the device by fastening the screw.

Content

1 Safety

1.1 Intended use

1.2 Warnings

2 Assembling your microscope

2.1 Assembly

2.2 Connecting

2.3 Power on

2.4 Integrated light

3 Control options

3.1 XKEY

3.2 Foot switch

4 Operation

4.1 On screen display

4.2 Image or video capture

5 Maintenance & support

5.1 Taking care of your microscope

5.2 Warranty

5.3 Support

5.6 Technical specifications

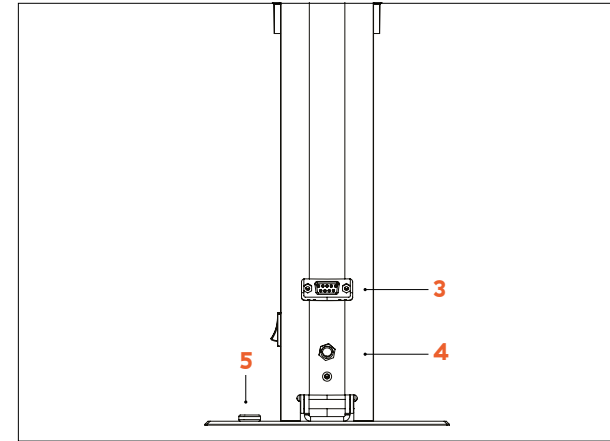
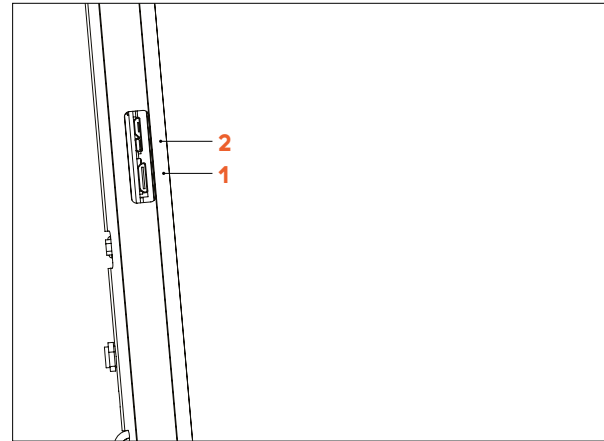
5.7 PC requirements

5.7 Declaration of Conformity

5.8 Label

2.2 Connecting

Connect the cables as shown here. Please do not use force when inserting the cable plugs.



Connector	Description	Type	Connect to
1	Output	Mini HDMI Type C	Monitor
2	USB 3.0 output	Micro USB 3.0 Type B	Computer
3	Control box or *foot switch	D-SUB 9-Pin Female	Control box or foot switch
4	Power supply (DC)	DC Jack	Power socket
5	ESD	Snap Socket, 10mm.	ESD grounding point

* Note: If you're using the foot switch, connect the cable to the foot switch and then connect the footswitch and control box.

Content

1 Safety

1.1 Intended use

1.2 Warnings

2 Assembling your microscope

2.1 Assembly

2.2 Connecting

2.3 Power on

2.4 Integrated light

3 Control options

3.1 XKEY

3.2 Foot switch

4 Operation

4.1 On screen display

4.2 Image or video capture

5 Maintenance & support

5.1 Taking care of your microscope

5.2 Warranty

5.3 Support

5.6 Technical specifications

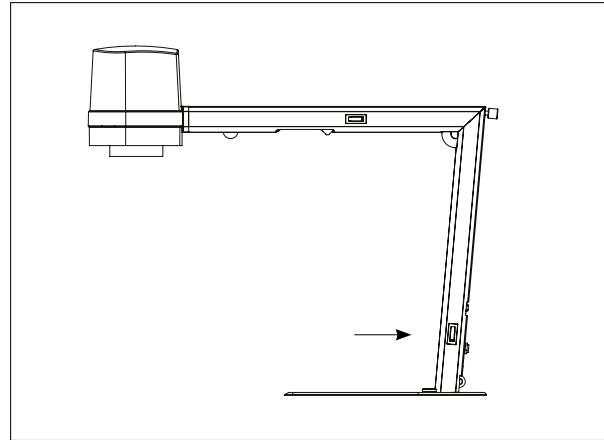
5.7 PC requirements

5.7 Declaration of Conformity

5.8 Label

2.3 Power on

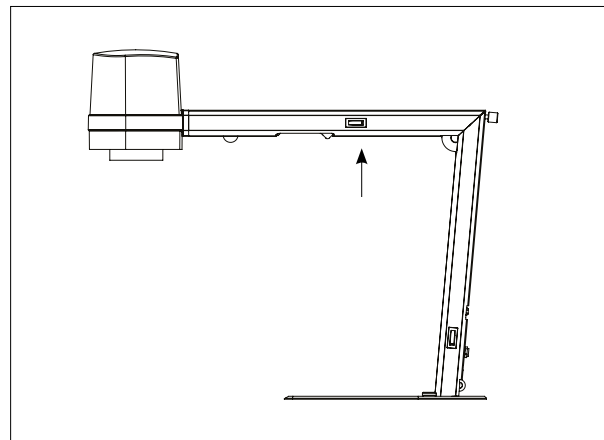
Press button on the microscope.



Power on/off.

2.4 Integrated light

Turn light on/off with button on microscope arm.



Light on/off

Content

1 Safety

1.1 Intended use

1.2 Warnings

2 Assembling your microscope

2.1 Assembly

2.2 Connecting

2.3 Power on

2.4 Integrated light

3 Control options

3.1 XKEY

3.2 Foot switch

4 Operation

4.1 On screen display

4.2 Image or video capture

5 Maintenance & support

5.1 Taking care of your microscope

5.2 Warranty

5.3 Support

5.6 Technical specifications

5.7 PC requirements

5.7 Declaration of Conformity

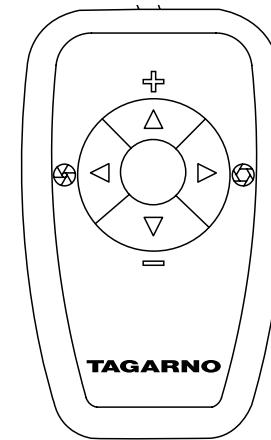
5.8 Label

3 Control options

In this section, you'll learn the different control options for your microscope.

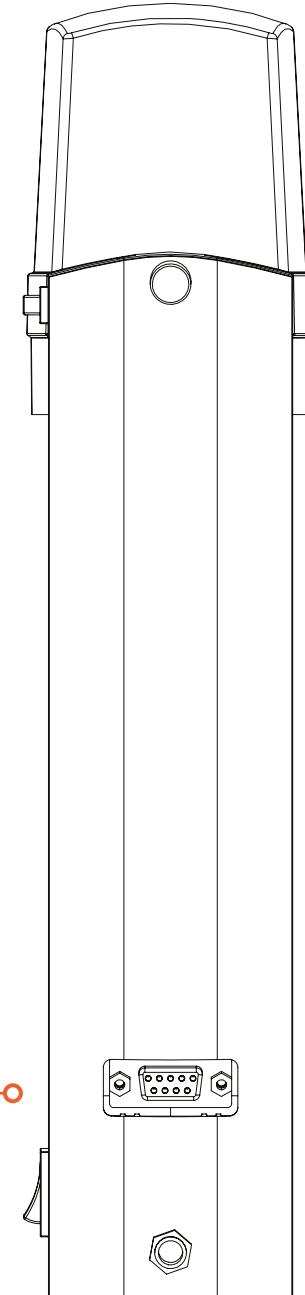
3.1 XKEY

The centerpiece of the included Controller is a tactile wheel button, that makes menu navigation seamless and intuitive.



3.1.1 Connect to microscope

Connect the XKEY control box to the microscope with the D-SUB 9-Pin Female.



Content

1 Safety

1.1 Intended use

1.2 Warnings

2 Assembling your microscope

2.1 Assembly

2.2 Connecting

2.3 Power on

2.4 Integrated light

3 Control options

3.1 XKEY

3.2 Foot switch

4 Operation

4.1 On screen display

4.2 Image or video capture

5 Maintenance & support

5.1 Taking care of your microscope

5.2 Warranty

5.3 Support

5.6 Technical specifications

5.7 PC requirements

5.7 Declaration of Conformity

5.8 Label

3.1.2 How to use the XKEY



Control zoom or focus with Plus or Minus

When in autofocus mode

Zoom in/out

When in manual focus mode

Adjust manual focus

Change focus mode

Press both buttons to switch focus mode.

Open/select menu or save value

Long press

Open menu

Short press

Select sub menu or save value

Reset to factory settings

- After turning the microscope off, press and hold the center button down while turning the power on
- Keep holding the center button down for 25 seconds
- Release the center button and turn the power off
- Turn the power back on and the microscope is set to factory setting 1080P60

Navigate menu

Use any arrow key to navigate menu

Adjust camera settings or switch preset

- Adjust Iris/Gain
(when Iris/Gain selected in open menu)
- Switch between presets
(when presets are selected in open menu)

Content

1 Safety

1.1 Intended use

1.2 Warnings

2 Assembling your microscope

2.1 Assembly

2.2 Connecting

2.3 Power on

2.4 Integrated light

3 Control options

3.1 XKEY

3.2 Foot switch

4 Operation

4.1 On screen display

4.2 Image or video capture

5 Maintenance & support

5.1 Taking care of your microscope

5.2 Warranty

5.3 Support

5.6 Technical specifications

5.7 PC requirements

5.7 Declaration of Conformity

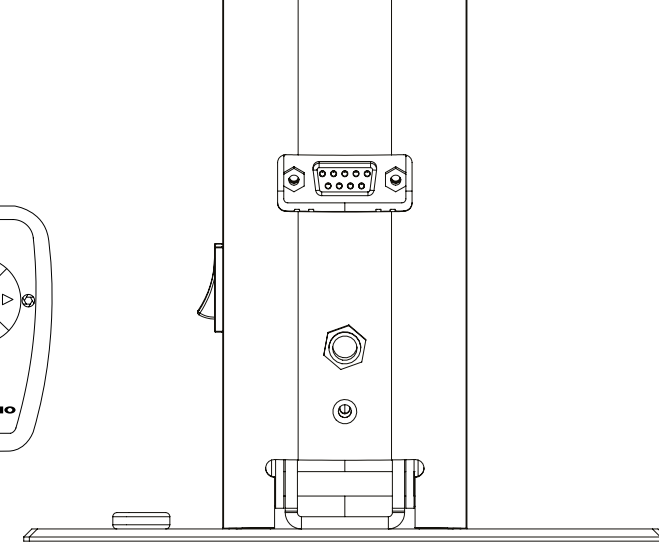
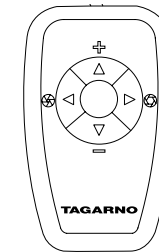
5.8 Label

3.2 Foot switch

When used with the TAGARNO microscope, Foot Switch enables hands-free control over magnification and manual focus.

3.2.1 Connect to microscope

Connect the Foot switch to the microscope with the D-SUB 9-Pin Female. Then connect the footswitch and control box.



3.2.2 How to use the Foot switch

Zoom out or move focus down

- Right button to zoom out (when in Autofocus mode).
- Control manual focus to focus on objects further away from to the lens (when in Manual focus mode).



Zoom in or move focus up

- Left button to zoom in (when in Autofocus mode).
- Control manual focus to focus on objects closer to the lens (when in Manual focus mode).

Change focus mode

Press both buttons to switch focus mode.

Content

1 Safety

- 1.1 Intended use
- 1.2 Warnings

2 Assembling your microscope

- 2.1 Assembly
- 2.2 Connecting
- 2.3 Power on
- 2.4 Integrated light

3 Control options

- 3.1 XKEY
- 3.2 Foot switch

4 Operation

- 4.1 On screen display
- 4.2 Image or video capture

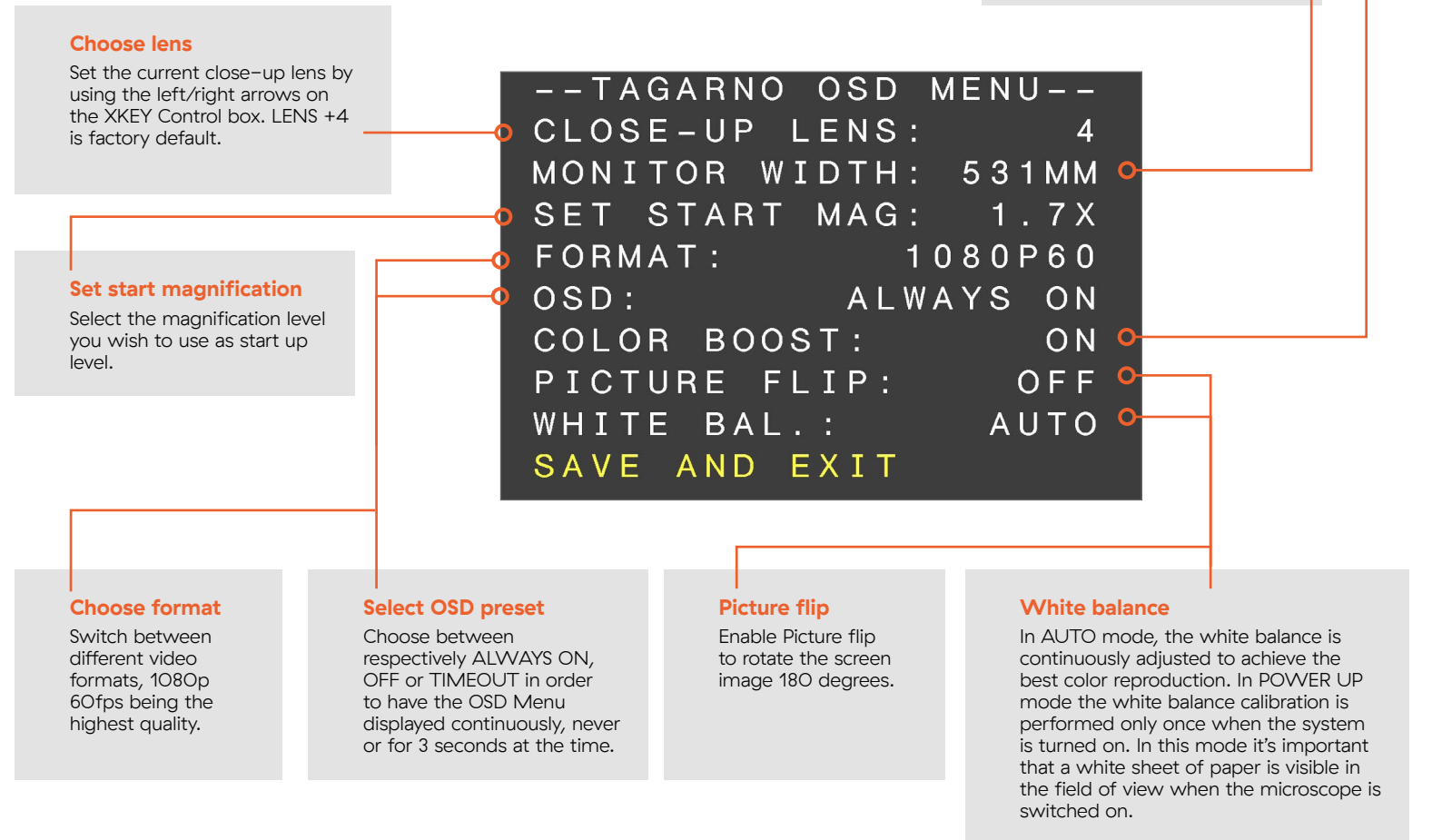
5 Maintenance & support

- 5.1 Taking care of your microscope
- 5.2 Warranty
- 5.3 Support
- 5.6 Technical specifications
- 5.7 PC requirements
- 5.7 Declaration of Conformity
- 5.8 Label

4 Operation

4.1 On screen display

A variety of features will become available, when you open the menu. Let's look at them in more detail.



Content

1 Safety

1.1 Intended use

1.2 Warnings

2 Assembling your microscope

2.1 Assembly

2.2 Connecting

2.3 Power on

2.4 Integrated light

3 Control options

3.1 XKEY

3.2 Foot switch

4 Operation

4.1 On screen display

4.2 Image or video capture

5 Maintenance & support

5.1 Taking care of your microscope

5.2 Warranty

5.3 Support

5.6 Technical specifications

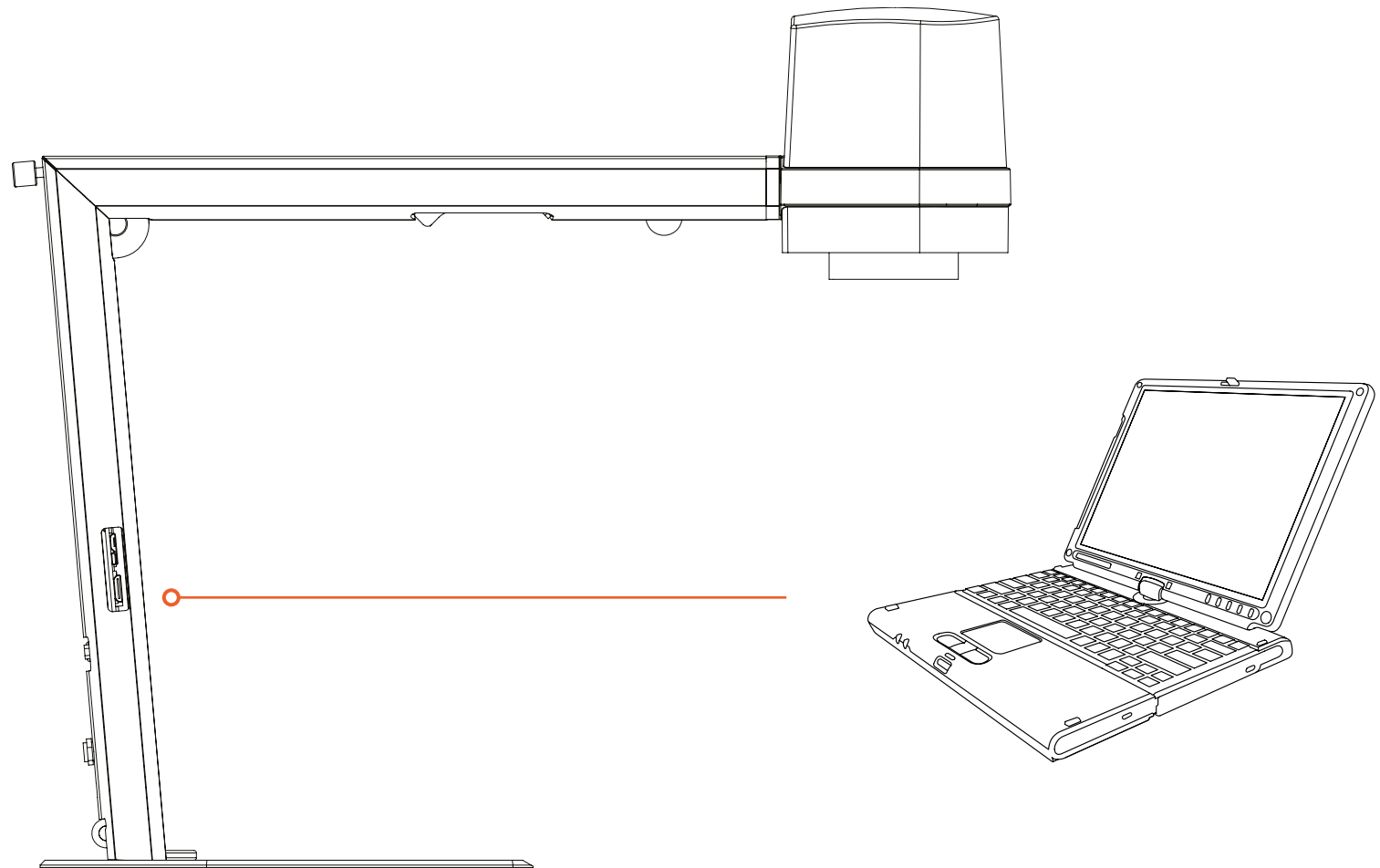
5.7 PC requirements

5.7 Declaration of Conformity

5.8 Label

4.2 Image or video capture

To save photos or videos of your work, connect the microscope to a computer via Micro USB 3.0 Type B cable. You can then open the built-in camera app on the connected computer and choose the microscope live image as your camera. You can now capture photos or videos from the live image.



Content

1 Safety

1.1 Intended use

1.2 Warnings

2 Assembling your microscope

2.1 Assembly

2.2 Connecting

2.3 Power on

2.4 Integrated light

3 Control options

3.1 XKEY

3.2 Foot switch

4 Operation

4.1 On screen display

4.2 Image or video capture

5 Maintenance & support

5.1 Taking care of your microscope

5.2 Warranty

5.3 Support

5.6 Technical specifications

5.7 PC requirements

5.7 Declaration of Conformity

5.8 Label

In this section, you'll learn how to handle and do maintenance on your ZIP+ to extend its lifespan. You'll also learn TAGARNO's warranty terms and how to create a support ticket either through your local distributor or directly with TAGARNO.

5 Maintenance & support



5.1 Taking care of your microscope

- Store and use the product in a dry, clean and ventilated room.
- Do not place the product in direct sunlight, next to a radiator/heater or some place where the system may be subjected to liquids.
- All plugs are designed to be used in one way only. Therefore, you should never use force when you connect the system.
- Remember to disconnect all elements if you intend to move the product.
- If you move the product from a cold to a hot room, you must wait at least an hour before you turn it on to avoid short circuits due to condensation.
- Remove the cables by pulling the plug itself – never by pulling the cable.
- If the product needs repairing, never do it yourself, contact your distributor.
- When cleaning the product, please turn off the system and wait until the system has cooled off.
- Clean the product with a damp cloth. Never use strong cleaning agents or chemicals – these may damage the microscope.
- Clean the lens regularly with isopropyl alcohol and a microfiber cloth or with the TAGARNO cleaning kit.

Content

1 Safety

1.1 Intended use

1.2 Warnings

2 Assembling your microscope

2.1 Assembly

2.2 Connecting

2.3 Power on

2.4 Integrated light

3 Control options

3.1 XKEY

3.2 Foot switch

4 Operation

4.1 On screen display

4.2 Image or video capture

5 Maintenance & support

5.1 Taking care of your microscope

5.2 Warranty

5.3 Support

5.6 Technical specifications

5.7 PC requirements

5.7 Declaration of Conformity

5.8 Label

5.2 Warranty

Warranty terms for the product shall be as follows:

TAGARNO warrants that the product will correspond with the specification at the time of delivery and will be free from defects in material and workmanship for a period of 24 months (2 years) from date of shipment (Ex Works).



This warranty covers:

- The replacement of defective parts.
- All labor costs to exchange defective parts in product.
- Complete functions test of product before return to end user's site.
- Return transport costs of product from TAGARNO to end user's site.
- The warranty only applies if the product is packed, shipped, stored, handled and maintained correctly.

The warranty does not cover:

- Failures due to improper packing and transport.
- Failures due to drops and sudden blows.
- Failures due to storage and handling in extreme high or low temperatures.
- Failures due to storage or handling in extreme high humidity.

Content

1 Safety

1.1 Intended use

1.2 Warnings

2 Assembling your microscope

2.1 Assembly

2.2 Connecting

2.3 Power on

2.4 Integrated light

3 Control options

3.1 XKEY

3.2 Foot switch

4 Operation

4.1 On screen display

4.2 Image or video capture

5 Maintenance & support

5.1 Taking care of your microscope

5.2 Warranty

5.3 Support

5.6 Technical specifications

5.7 PC requirements

5.7 Declaration of Conformity

5.8 Label

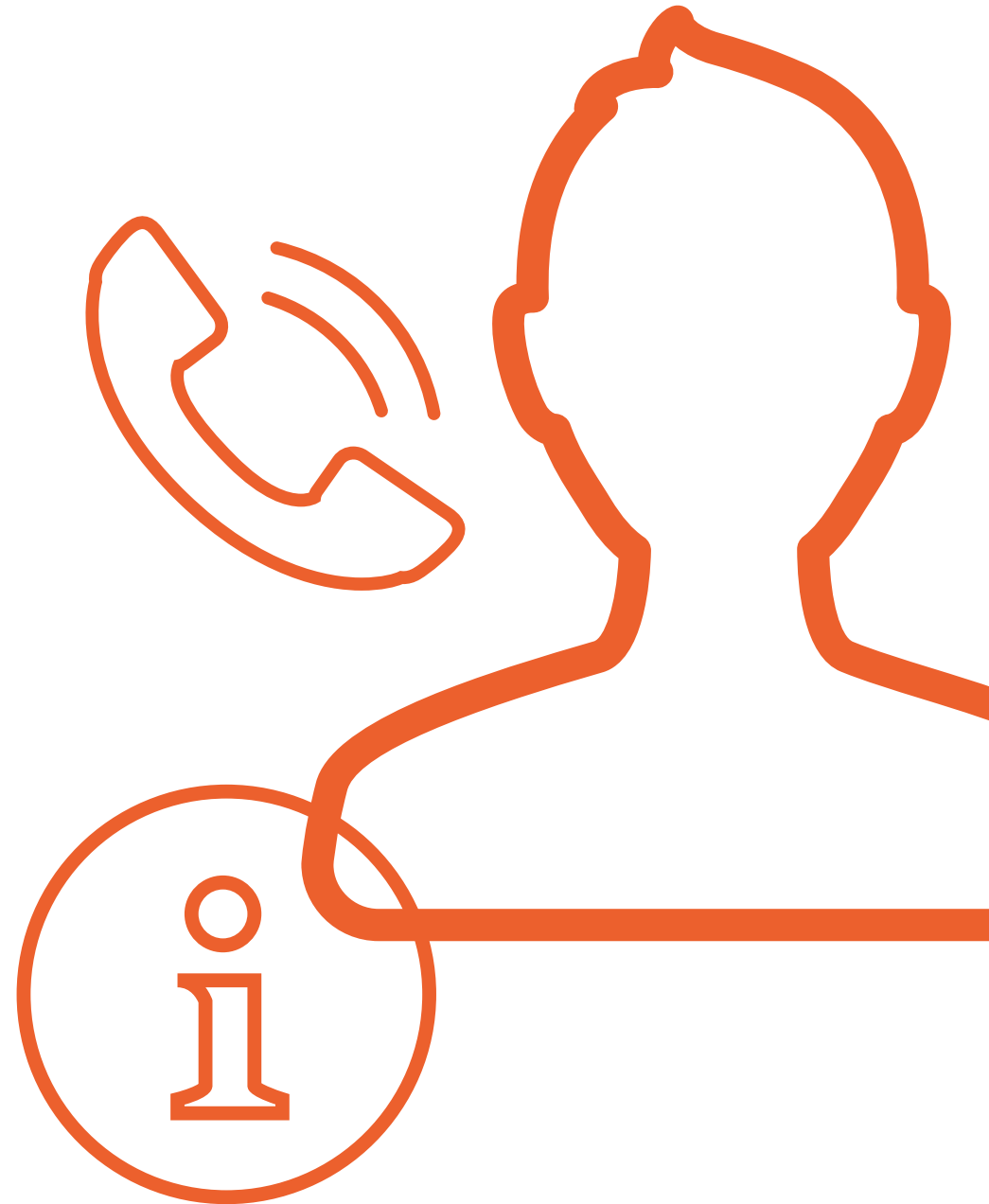
5.3 Support

If you experience issues with your microscope, please check the troubleshooting section of this manual.

If you're still unable to solve the issue at hand, please contact the local partner that you bought the microscope from. You should only contact TAGARNO directly if you did not buy the product from a local distributor. In this case, you can create a ticket using the support form on TAGARNO's website:

<https://tagarno.com/help-center/>

When requesting support, either through a local partner or TAGARNO, you should always state the model number and serial number of your microscope. You can find these information on the product label on the microscope.



Content

1 Safety

1.1 Intended use

1.2 Warnings

2 Assembling your microscope

2.1 Assembly

2.2 Connecting

2.3 Power on

2.4 Integrated light

3 Control options

3.1 XKEY

3.2 Foot switch

4 Operation

4.1 On screen display

4.2 Image or video capture

5 Maintenance & support

5.1 Taking care of your microscope

5.2 Warranty

5.3 Support

5.6 Technical specifications

5.7 PC requirements

5.7 Declaration of Conformity

5.8 Label

5.6 Technical specifications

Get to know the TAGARNO ZIP+ in more detail by exploring the technical specifications listed below.

Camera specs

• Camera resolution (FHD): FHD 1080p, 1920x1080p at 59,94/50/29,97/25Hz

• Camera resolution (HD): HD 720p, 1280x720p at 59,94/50Hz

• Frame rate: 60 frames per second

• Optical zoom: 30x

• Video output: HDMI

• Aspect ratio: 16:9

Dimensions and weight

• Height: 350 mm (13.78")

• Width: 155 mm (6.10")

• Depth: 386 mm (15.20")

• Working depth: 280 mm (11.02")

• Weight: 2.0 kg/4.4lbs

Objective +4

• Magnification range: 1.7x – 53x

• Free working distance: 250 mm (9.84")

• Field of view: 10.50 mm – 290 mm (0.41" – 11.42")

• Working depth: 280 mm (11.02")

• Weight: 2.0 kg/4.4lbs

Content

1 Safety

1.1 Intended use

1.2 Warnings

2 Assembling your microscope

2.1 Assembly

2.2 Connecting

2.3 Power on

2.4 Integrated light

3 Control options

3.1 XKEY

3.2 Foot switch

4 Operation

4.1 On screen display

4.2 Image or video capture

5 Maintenance & support

5.1 Taking care of your microscope

5.2 Warranty

5.3 Support

5.6 Technical specifications

5.7 PC requirements

5.7 Declaration of Conformity

5.8 Label

5.7 PC requirements

If you to connect the microscope to a computer, please find a model that meets the requirements listed below.

5.7.1 Full HD 1080p @ 59.94/50Hz

	Desktop	Laptop
• OS:	Windows 7, 8 or 10 (with DirectX 11)	
• Memory:	8GB	
• CPU:	Intel® Core™ i5 or i7 @2.4GHz, (4th generation named 4xxx or newer)	Intel® Core™ i5 or i7 @2.4GHz (4th generation named 4xxx or newer)
• Hard Disc Space:	1GB required (SSD type recommended)	
• Connections:	USB 3.0 xHCI host controller (Intel chipset recommended)	
• Integrated Graphics:	Intel® HD Graphics 4000	Intel® HD Graphics 4400
• Dedicated graphics card:	AMD Radeon™, HD 7xxx Series with 2GB RAM	nVidia GeForce GT 740M with 2GB RAM
• Monitor resolution:	1920x1080 (recommended)	

Content

1 Safety

1.1 Intended use

1.2 Warnings

2 Assembling your microscope

2.1 Assembly

2.2 Connecting

2.3 Power on

2.4 Integrated light

3 Control options

3.1 XKEY

3.2 Foot switch

4 Operation

4.1 On screen display

4.2 Image or video capture

5 Maintenance & support

5.1 Taking care of your microscope

5.2 Warranty

5.3 Support

5.6 Technical specifications

5.7 PC requirements

5.7 Declaration of Conformity

5.8 Label

5.7.2 Full HD 1080p @ 29.97/25Hz & 720 @ 59.94/50/30/25Hz

	Desktop	Laptop
• OS:	Windows 7, 8 or 10 (with DirectX 11)	
• Memory:	4GB	
• CPU:	Intel® Core™ Dual@3.0GHz or i3@2.4GHz, (4th generation named 4xxx or newer)	Intel® Core™ i3 @ 3.2GHz, (4th generation named 4xxx or newer)
• Hard Disc Space:	1GB required (SSD type recommended)	
• Connections:	USB 3.0 xHCI host controller (Intel chipset recommended)	
• Integrated Graphics:	Intel® HD Graphics	
• Dedicated graphics card:	AMD Radeon™, 1GB ram	nVidia GeForce GT 1GB RAM
• Monitor resolution:	1920x1080 (recommended)	

Software recommended

- | | |
|---------------|-----------------------|
| • Windows 7: | Youcam 7 |
| • Windows 8: | Windows 8 Camera App |
| • Windows 10: | Windows 10 Camera App |

Content

1 Safety

1.1 Intended use

1.2 Warnings

2 Assembling your microscope

2.1 Assembly

2.2 Connecting

2.3 Power on

2.4 Integrated light

3 Control options

3.1 XKEY

3.2 Foot switch

4 Operation

4.1 On screen display

4.2 Image or video capture

5 Maintenance & support

5.1 Taking care of your microscope

5.2 Warranty

5.3 Support

5.6 Technical specifications

5.7 PC requirements

5.7 Declaration of Conformity

5.8 Label

5.7 Declaration of Conformity

TAGARNO®

Declaration of Conformity

TAGARNO A/S
Finlandsvej 2
8700 Horsens
Denmark

PRODUCT

NAME	MODEL	DESCRIPTION
TAGARNO FHD ZIP+	600600	Inspection Camera Unit

DIRECTIVES/STANDARDS
TAGARNO A/S hereby declares that the product listed above, complies with the following directives:


DIRECTIVE	
2014/35/EU	Low Voltage Directive
2014/30/EU	Electromagnetic Compatibility (EMC)
2006/25/EU	Artificial Optical Radiation
2011/65/EU	Restriction of Hazardous Substances (RoHS)
2012/19/EU	Waste Electrical & Electronic Equipment (WEEE)

By conforming to the following harmonized standards and regulations:

STANDARD/REGULATION	
IEC 61326-1:2013	Class A / Industrial Electromagnetic Environment
IEC 62471:2008	Risk Group Exempt / Blue Light Radiance
IEC 61010-1:2010	IECEE CB Scheme Ref. Cert.No. NO103722
EC 1907/2006	Registration, Evaluation, Authorisation & Restr. of Chemicals (REACH)
FCC / IC	Part 15 Class A / CAN ICES-3 (A)/NMB-3(A)

ISSUED BY

MANUFACTURER	DATE (DD/MM-YYYY)
TAGARNO A/S	01/04-2026

SIGNATURE

Anders Ravnskjær Pedersen
Director of R&D and Product Management

CE
UK
CA
UKCA
CE

Page 1 of 1

5.8 Label

All TAGARNO products are marked with a product label.

TAGARNO ZIP+

Item No.: XXXXXX
Serial No.: XXXXX
Supply: 12V --- 1.0 A

TAGARNO A/S - Finlandsvej 2, 8700 Horsens, Denmark. YYYY-MM



Values marked on the label with X, Y, M and D are replaced by specific numbers and letters.

Questions?

If you have any questions about your microscope, don't hesitate contacting your local distributor or one of our offices in Denmark and United States.

CONTACT US

www.tagarno.com

info@tagarno.com

DENMARK

TAGARNO A/S
Finlandsvej 2
8700 Horsens

UNITED STATES OF AMERICA

TAGARNO USA Inc.
210 South Pinellas Avenue, Suite 176
Tarpon Springs, FL 34689

TAGARNO